

veraLite Series

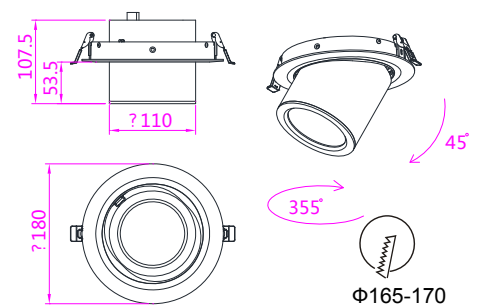
**DL25-20W**

Reflector



Technical Parameters:

Name	Parameters
Light source:	COB
Input Voltage:	AC220~240V 50/60Hz
LED Current:	500mA (34-36V)
Rated life:	>50,000 hours
Operating temperature:	-20°C~40°C
Storage temperature:	-30°C~60°C
Certificate:	TUV/CE/RoHS
Dimmability:	Dimmable Optional
Weight:	0.8KG



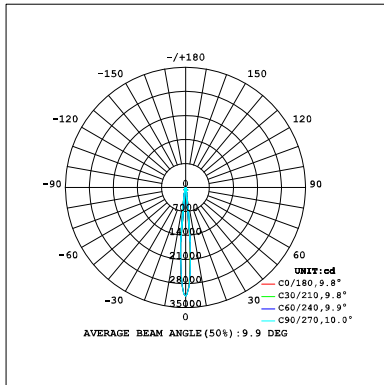
Ordering Information:

○ White

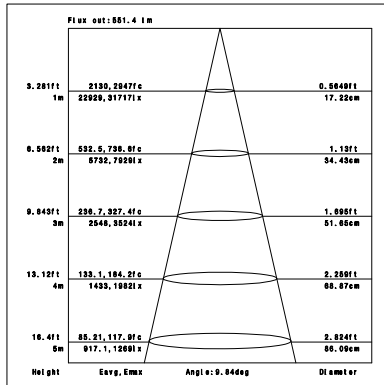
Power	CRI	Beam Angle	Luminous	CCT	Housing	Part Number
20W	>80	▲ 10°	2030 lm	3000K	○	DL251-20W-830-W-10
			2040 lm	4000K	○	DL251-20W-840-W-10
		▲ 20°	2060 lm	3000K	○	DL251-20W-830-W-20
			2050 lm	4000K	○	DL251-20W-840-W-20
		▲ 38°	2040 lm	3000K	○	DL251-20W-830-W-38
			3190 lm	4000K	○	DL251-20W-840-W-38
	>90	▲ 10°	1720 lm	3000K	○	DL251-20W-930-W-10
			1860 lm	4000K	○	DL251-20W-940-W-10
		▲ 20°	1745 lm	3000K	○	DL251-20W-930-W-20
			1890 lm	4000K	○	DL251-20W-940-W-20
		▲ 38°	1740 lm	3000K	○	DL251-20W-930-W-38
			1880 lm	4000K	○	DL251-20W-940-W-38

Technical Data test pattern

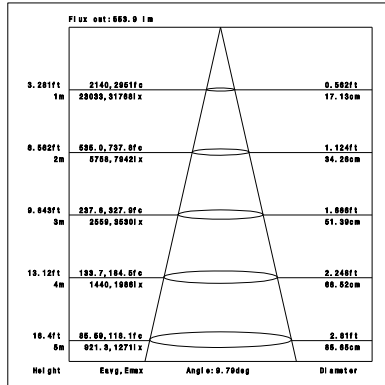
CRI80 10°



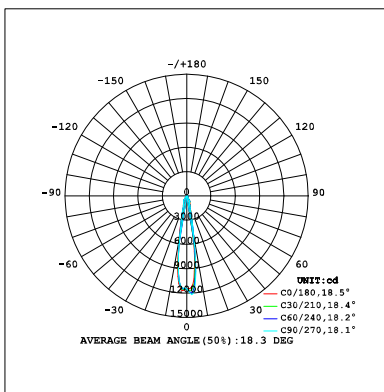
3000K



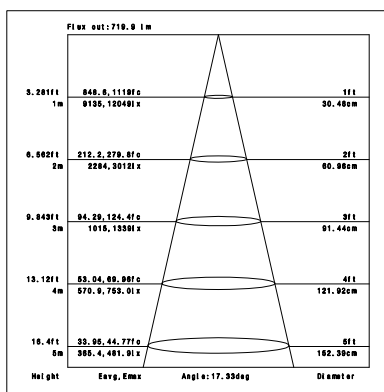
4000K



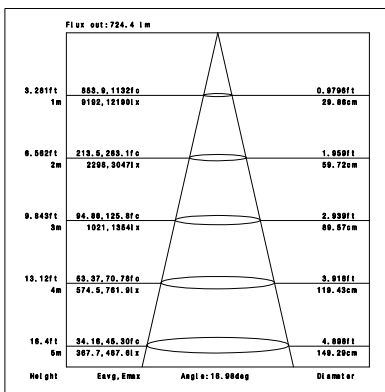
CRI80 20°



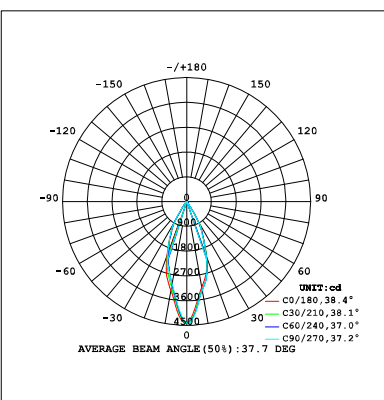
3000K



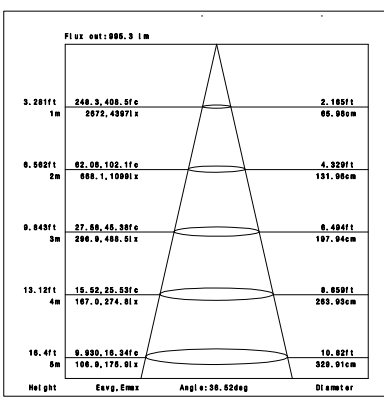
4000K



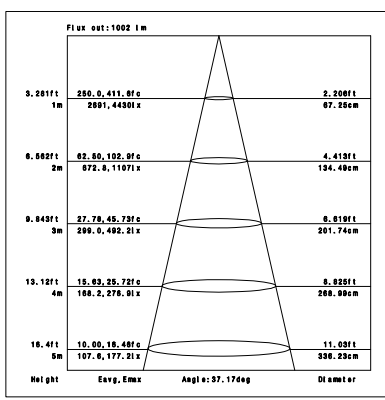
CRI80 38°



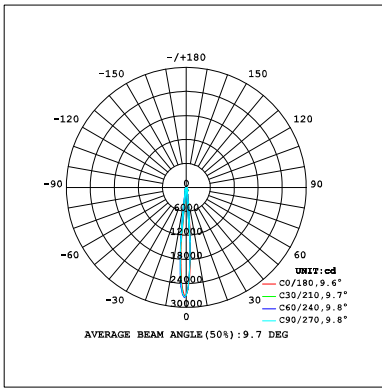
3000K



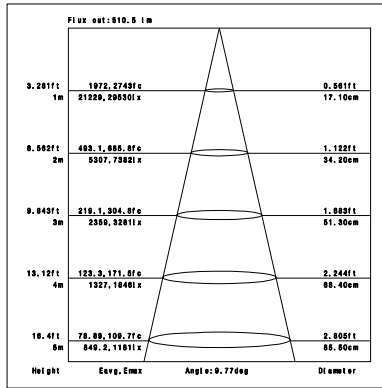
4000K



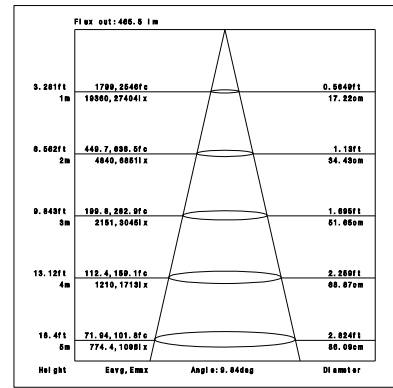
CRI90 15°



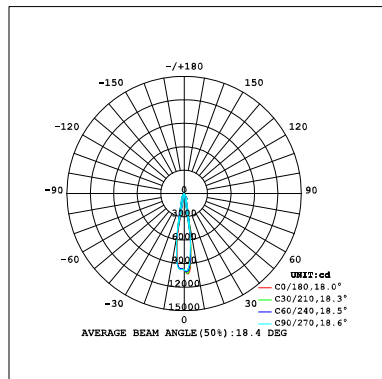
3000K



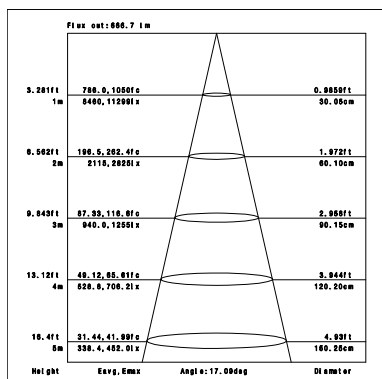
4000K



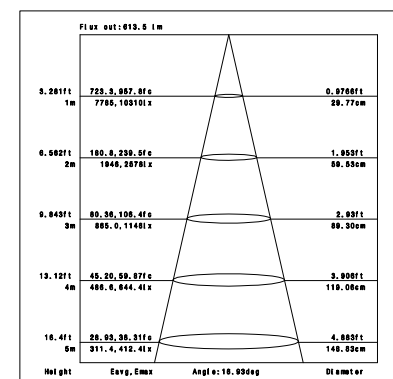
CRI90 20°



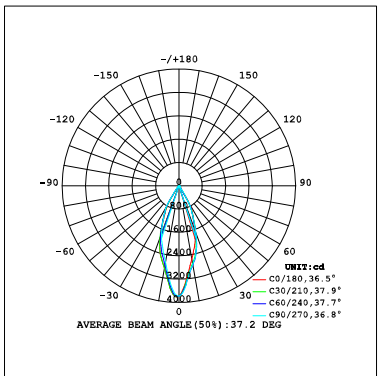
3000K



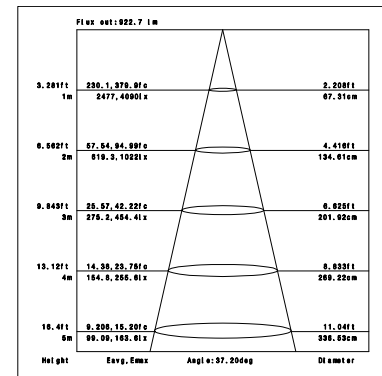
4000K



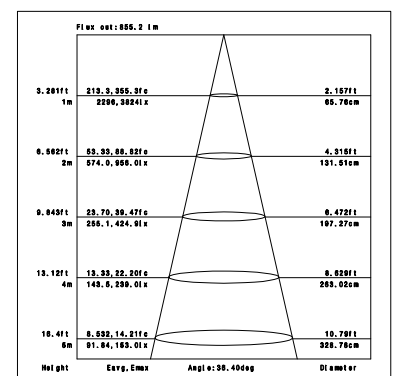
CRI90 45°



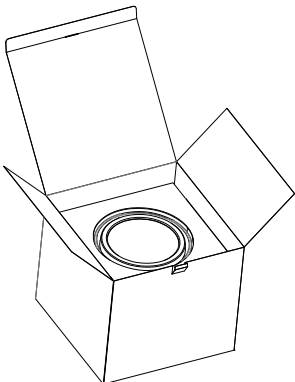
3000K



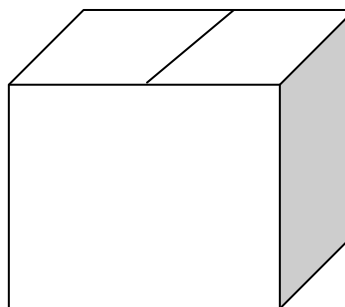
4000K



Packaging:



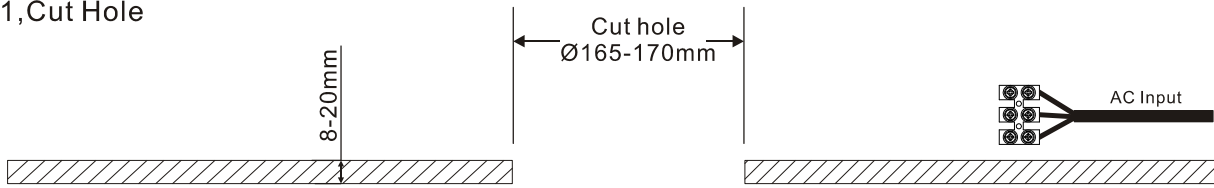
Box  
 L210\*W210\*H170mm  
 1pc/box  
 GW: 1.0kg/box



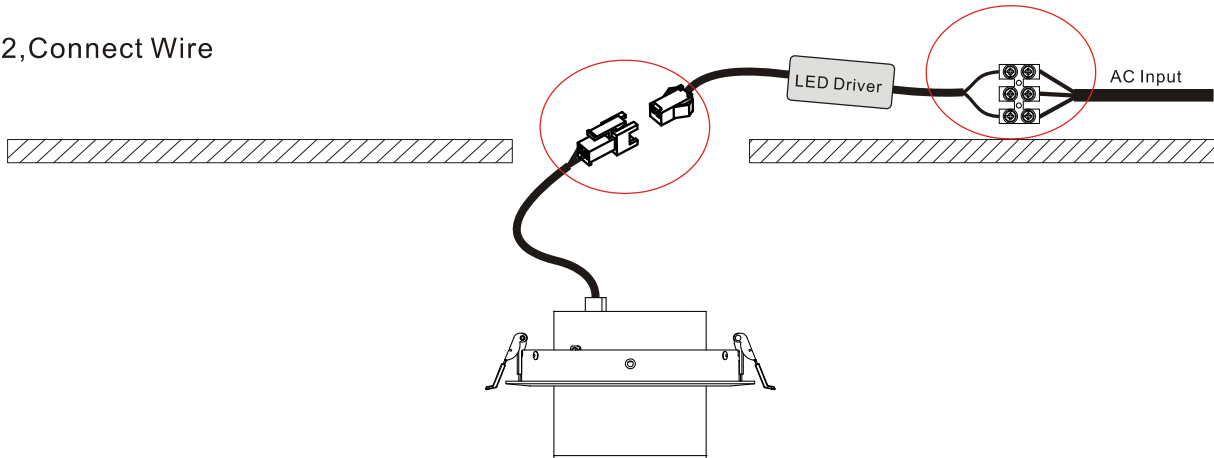
Outer carton  
 L430xW430xH350mm  
 8pcs/CTN  
 GW: 8.5kg/carton

Installation instruction

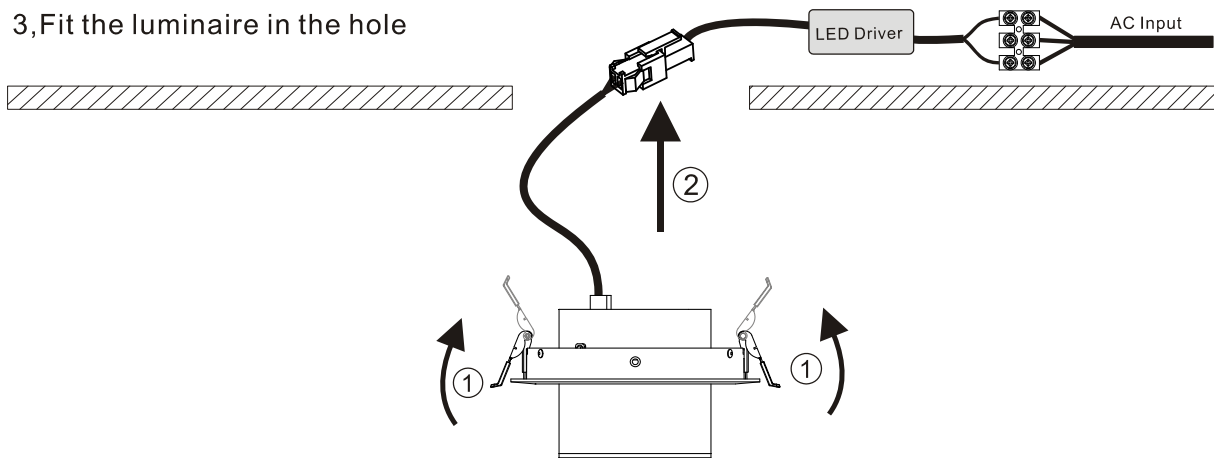
1, Cut Hole



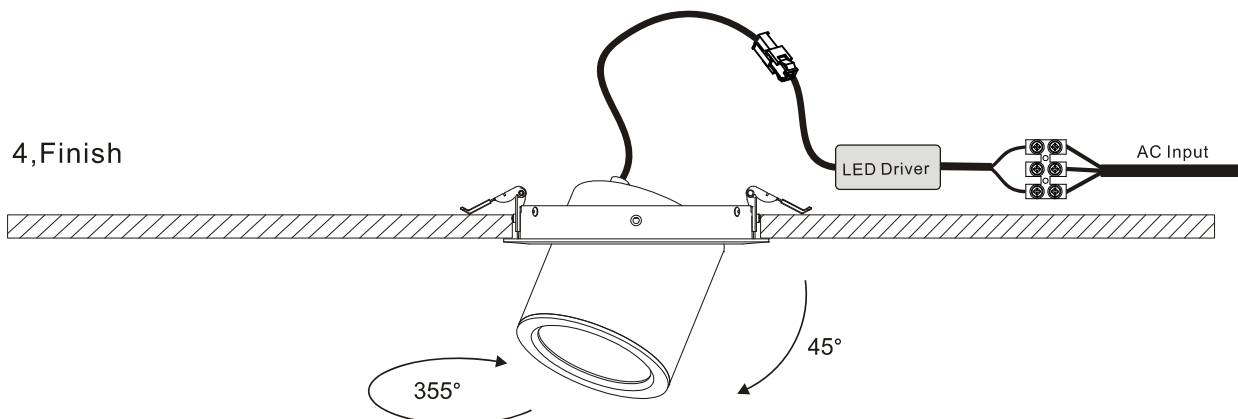
2, Connect Wire



3, Fit the luminaire in the hole



4, Finish



Product naming system

**DL ( X ) XX X (H) – XW – X XX – X- XX**

