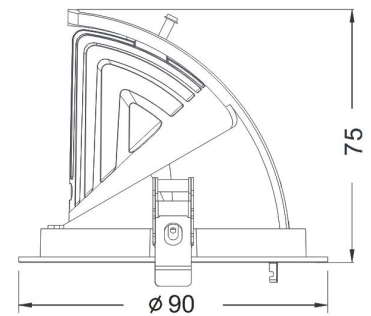


veraLite Series

DL26-10W

Optical Lens



Technical Parameters:

Name	Parameters
Light source:	COB
Input Voltage:	AC220~240V 50/60Hz
Current:	200mA
Rated life:	>50,000 hours
Operating temperature:	-20°C~40°C
Storage temperature:	-30°C~60°C
Certificate:	CE/RoHS
Weight:	
Package(mm):	

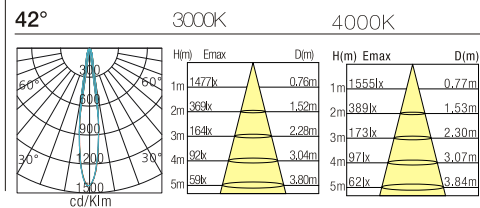
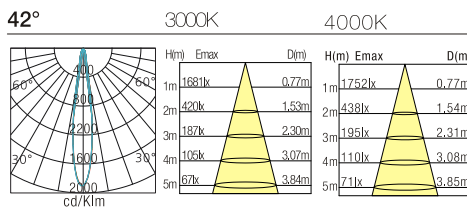
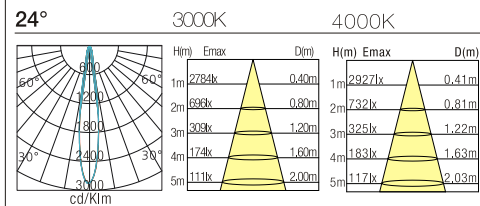
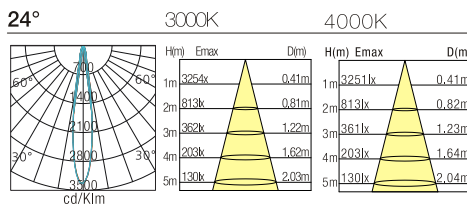
Ordering Information:

○ White

Power	CRI	Beam Angle	Luminous	CCT	Housing	Part Number
10W	>80	▲ 24°	868lm	3000K	○	DL261-10W-830-W-24
			892lm	4000K	○	DL261-10W-840-W-24
		▲ 42°	900lm	3000K	○	DL261-10W-830-W-42
			945 lm	4000K	○	DL261-10W-840-W-42
		▲ 24°	737 lm	3000K	○	DL261-10W-830-W-24
			793 lm	4000K	○	DL261-10W-830-B-24
		▲ 42°	776 lm	3000K	○	DL261-10W-840-W-42
			840 lm	4000K	○	DL261-10W-840-W-42

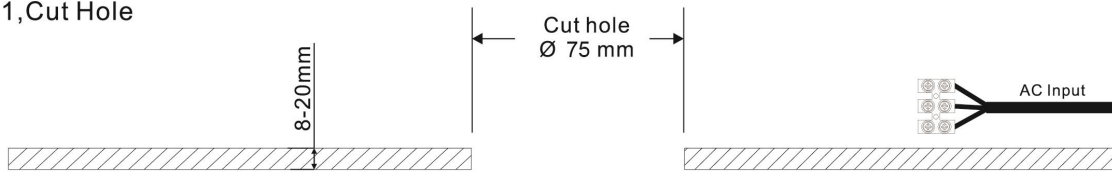
Technical Data test pattern

10W	CRI>80			CRI>90	
	LED			Luminaire	
Power	6.1W			10W	
Current	180mA			250mA	
Flux	886lm	924lm	948lm	900lm	945lm
CCT	2700K	3000K	4000K	3000K	4000K
Color tolerance	3 SDCM				
Service life	>50,000Hrs			>50000Hrs	
Beam Angle	120°			24°\42°	
Typical Efficiency				82%	
Efficacy (lm/W)	145	151	155	90	95

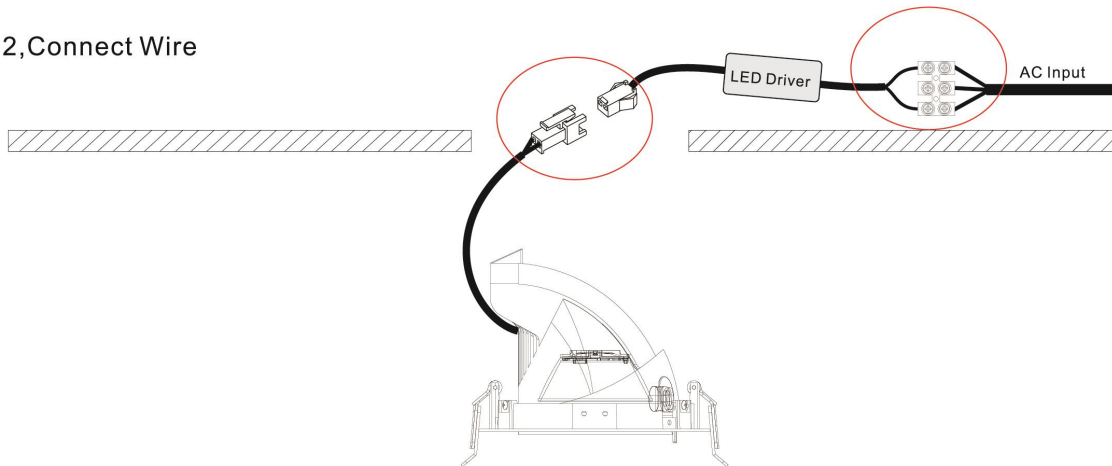


Installation Instruction

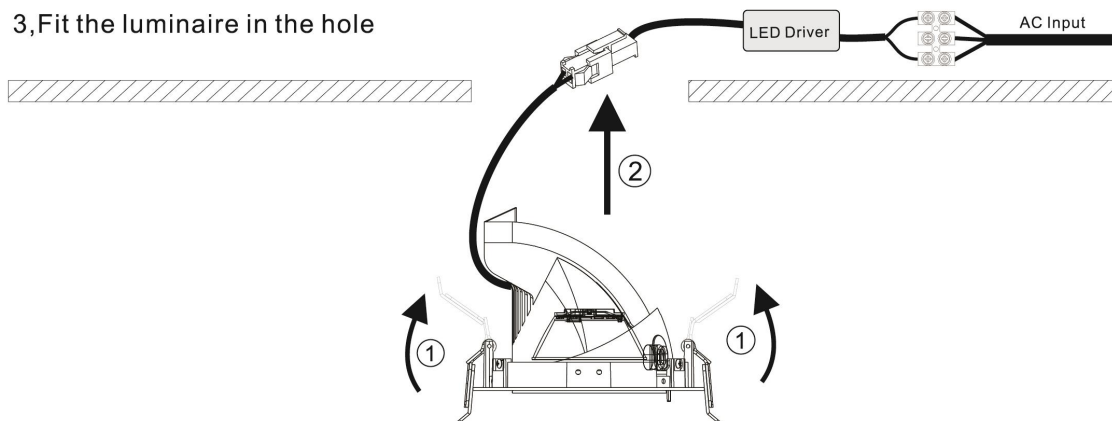
1, Cut Hole



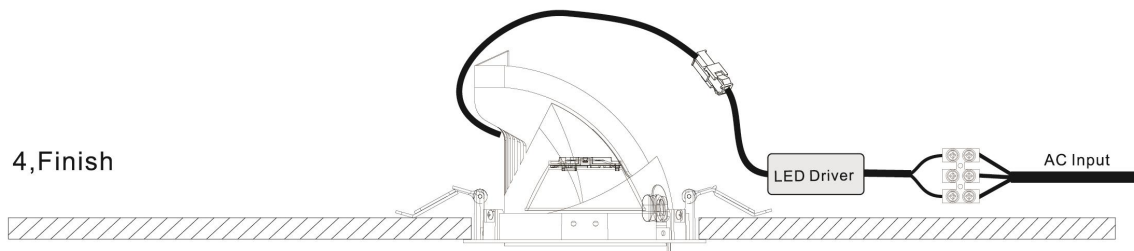
2, Connect Wire



3, Fit the luminaire in the hole



4, Finish



Product Nomenclature

DL (X) XX X (H) – X – X XX – X- XX

