

Pro Series

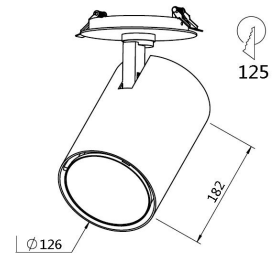
RL07-40W

Reflector



Technical Parameters:

Name	Parameters
Light source:	COB
Input Voltage:	AC220~240V 50/60Hz
LED Current:	1000mA (35-37V)
Rated life:	>50,000 hours
Operating temperature:	-20°C~40°C
Storage temperature:	-30°C~60°C
Certificate:	CE ROHS
Weight:	1.55KG



Ordering Information:

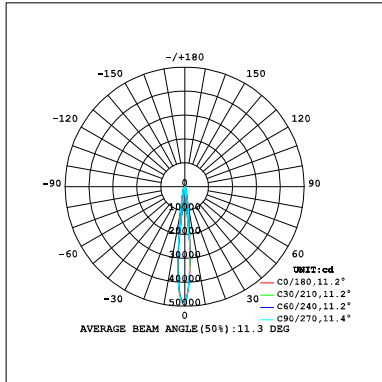
○ White ● Black

Power	CRI	Beam Angle	Luminous	CCT	Housing	Part Number
40W	>80	▲ 12°	4140 lm	3000K	○	RL071-40W-830-W-12
			4420 lm	4000K	○	RL071-40W-840-W-12
		▲ 20°	4180 lm	3000K	○	RL071-40W-830-W-20
			4350 lm	4000K	○	RL071-40W-840-W-20
		▲ 45°	4030 lm	3000K	○	RL071-40W-830-W-45
			4140 lm	4000K	○	RL071-40W-840-W-45
	>90	▲ 12°	3030 lm	3000K	○	RL071-40W-930-W-12
			3700 lm	4000K	○	RL071-40W-940-W-12
		▲ 20°	3550 lm	3000K	○	RL071-40W-930-W-20
			3740 lm	4000K	○	RL071-40W-940-W-20
		▲ 45°	3400 lm	3000K	○	RL071-40W-930-W-45
			3650 lm	4000K	○	RL071-40W-940-W-45

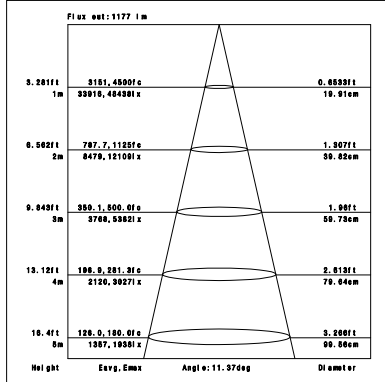


Technical Data test pattern

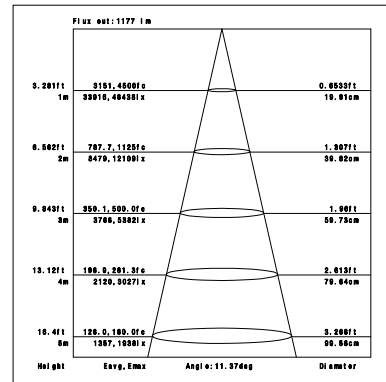
CRI80 12°



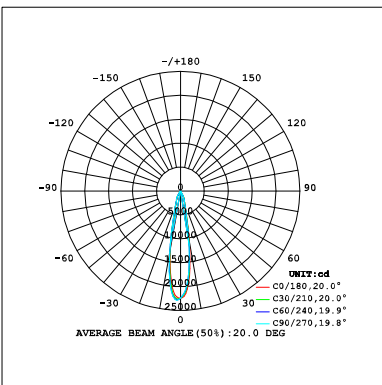
3000K



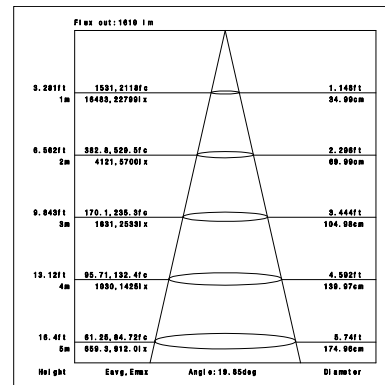
4000K



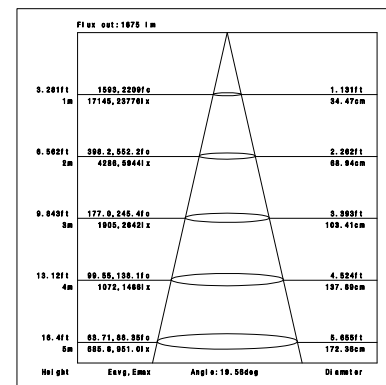
CRI80 20°



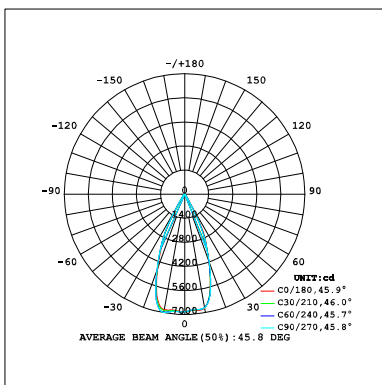
3000K



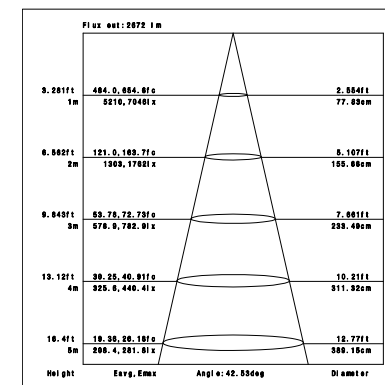
4000K



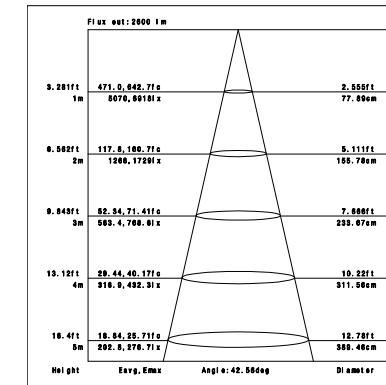
CRI80 45°



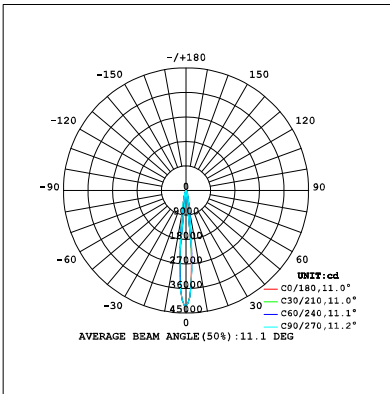
3000K



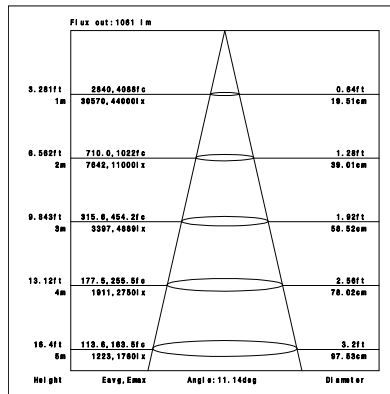
4000K



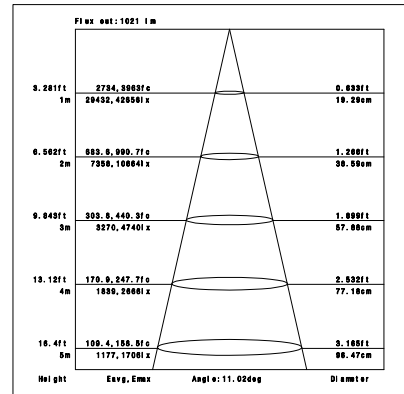
CRI90 12°



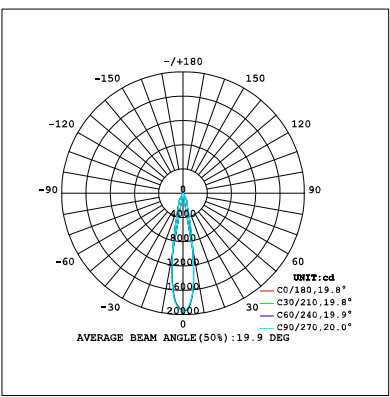
3000K



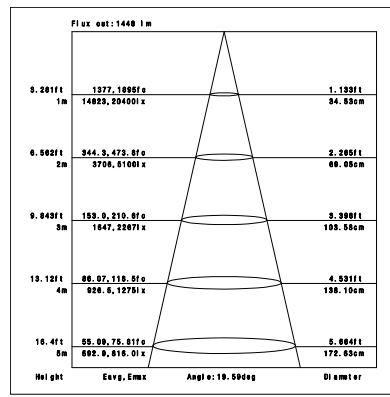
4000K



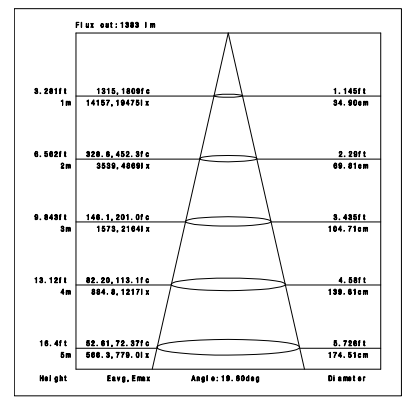
CRI90 20°



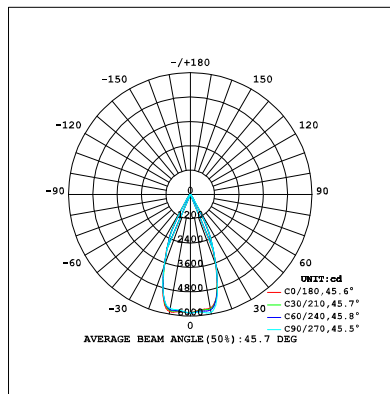
3000K



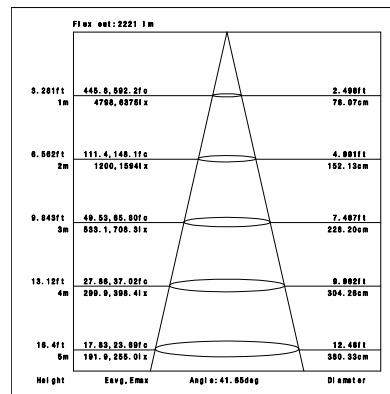
4000K



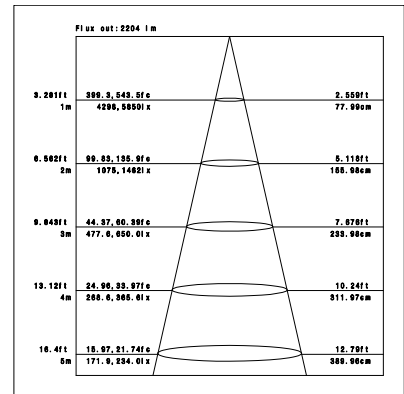
CRI90 45°



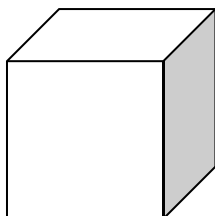
3000K



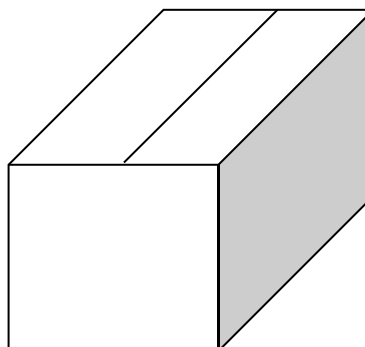
4000K



Packaging:



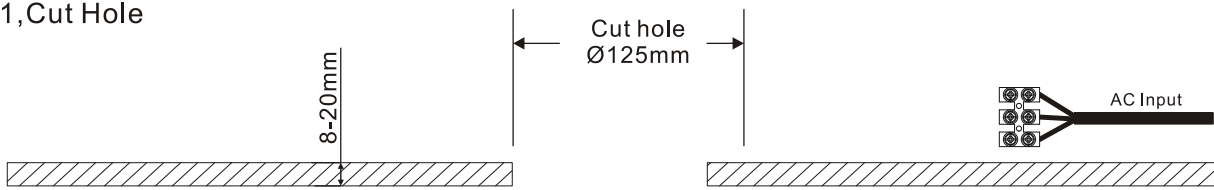
Box
 L230*W140*H280mm
 1pc/box
 GW: 1.55kg/box



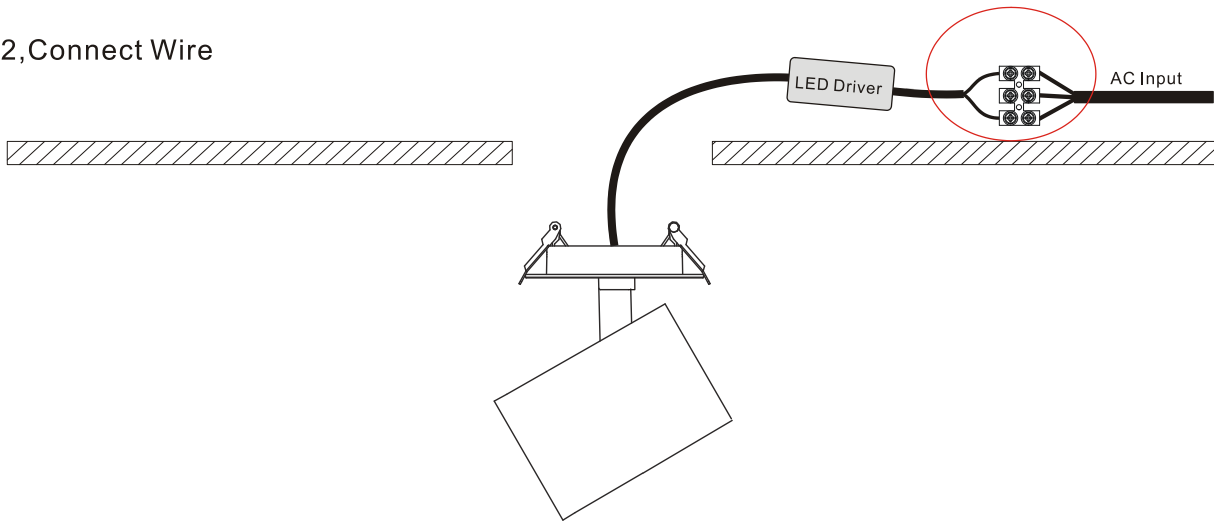
Outer carton
 L730xW310xH350mm
 6 pcs/CTN
 GW: 10.5kg/carton

Installation instruction

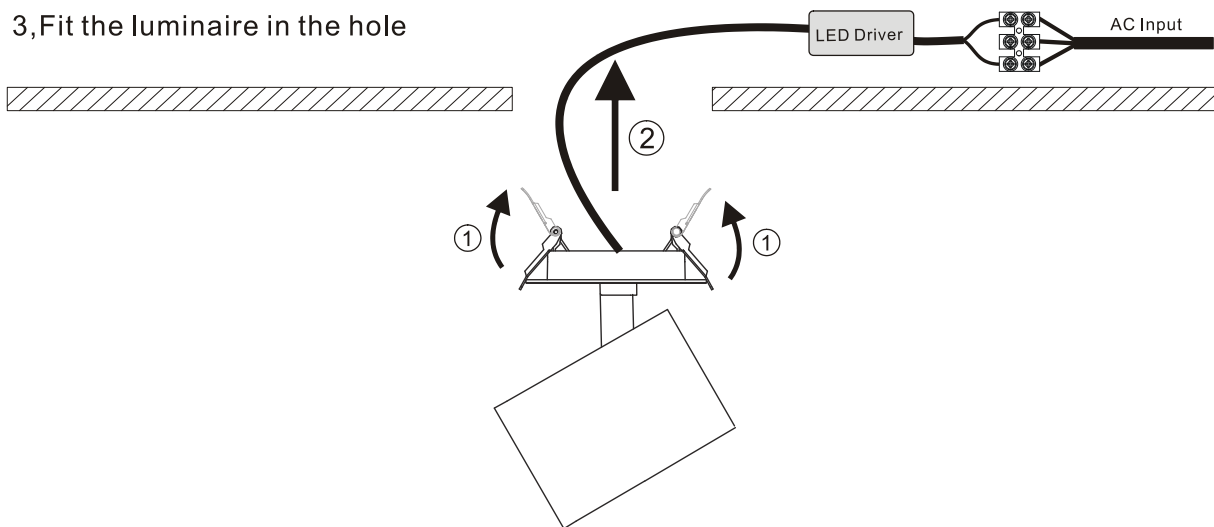
1, Cut Hole



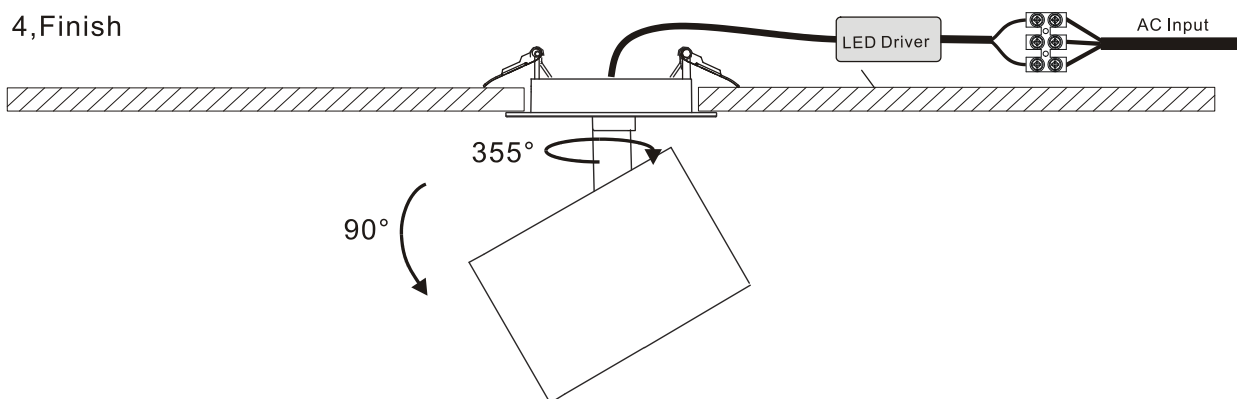
2, Connect Wire



3, Fit the luminaire in the hole



4, Finish



Product naming system

