

Cylinder series

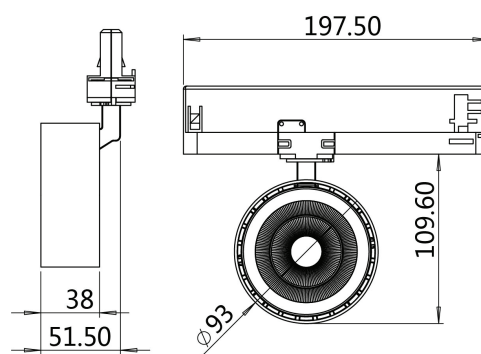
TL45-M-20W

optical lens



Technical Parameters:

Name	Parameters
Light source:	COB
Input Voltage:	AC220~240V 50/60Hz
LED Current:	500mA, 35-37V
Beam Angle:	15°/20°/36°/48°/60°
Life Time:	> 50,000h - L80 - B10 (Ta 25° C)
Operating temperature:	-20°C~40°C
Certificate:	CE/RoHS
Weight:	0.5kg



Ordering Information:

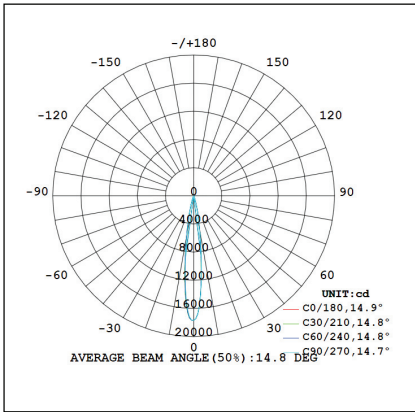
○ White ● Black

Power	CRI	Beam Angle	Luminous	CCT	Housing	Part Number	
20W	>80	▲ 15°	1910 lm	3000K	○	TL45*-20W-830-W-15-M	
					●	TL45*-20W-830-B-15-M	
		2102 lm	4000K	○	TL45*-20W-840-W-15-M		
					●	TL45*-20W-840-B-15-M	
		▲ 20°	1778 lm	3000K	○	TL45*-20W-830-W-20-M	
					●	TL45*-20W-830-B-20-M	
		1962 lm	4000K	○	TL45*-20W-840-W-20-M		
					●	TL45*-20W-840-B-20-M	
		▲ 36°	1870 lm	3000K	○	TL45*-20W-830-W-36-M	
					●	TL45*-20W-830-B-36-M	
		2086 lm	4000K	○	TL45*-20W-840-W-36-M		
					●	TL45*-20W-840-B-36-M	
	>90	▲ 15°	1566 lm	3000K	○	TL45*-20W-930-W-15-M	
					●	TL45*-20W-930-B-15-M	
			1766 lm	4000K	○	TL45*-20W-940-W-15-M	
					●	TL45*-20W-940-B-15-M	
			▲ 20°	1672 lm	3000K	○	TL45*-20W-930-W-20-M
						●	TL45*-20W-930-B-20-M
		1665 lm	4000K	○	TL45*-20W-940-W-20-M		
					●	TL45*-20W-940-B-20-M	
		▲ 36°	1647 lm	3000K	○	TL45*-20W-930-W-36-M	
					●	TL45*-20W-930-B-36-M	
			1745 lm	4000K	○	TL45*-20W-940-W-36-M	
					●	TL45*-20W-940-B-36-M	

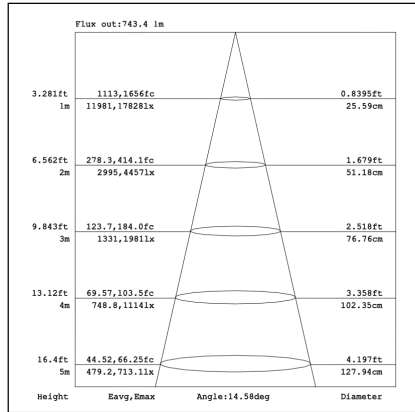
*: 4: 3 Phase 4 wires European Track, 6: 3 Phase 6 wires European Dali track

Technical Data test pattern

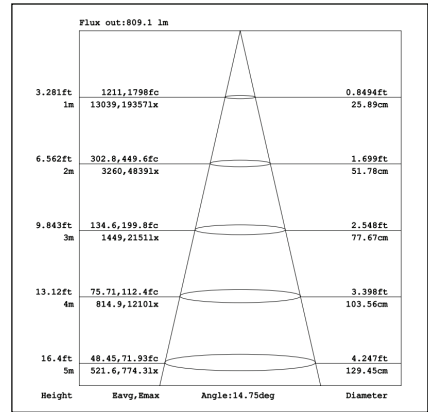
CRI80 15°



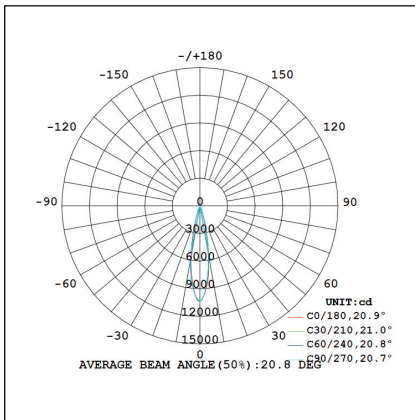
3000K



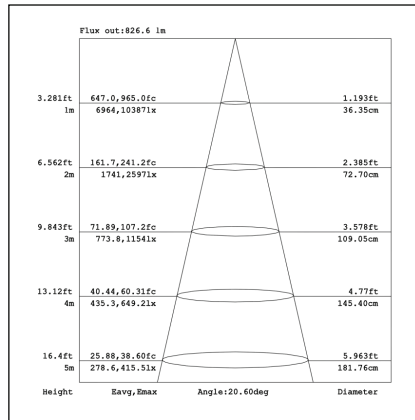
4000K



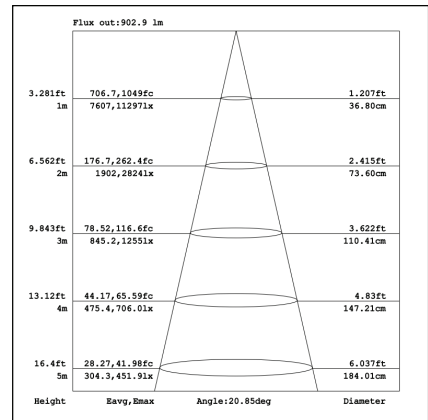
CRI80 20°



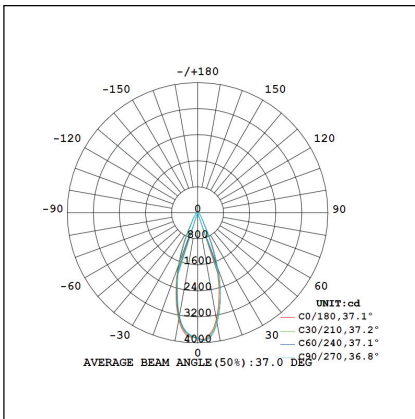
3000K



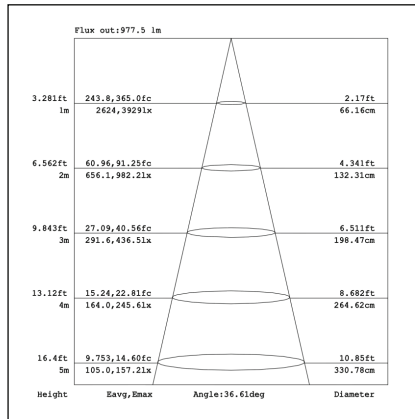
4000K



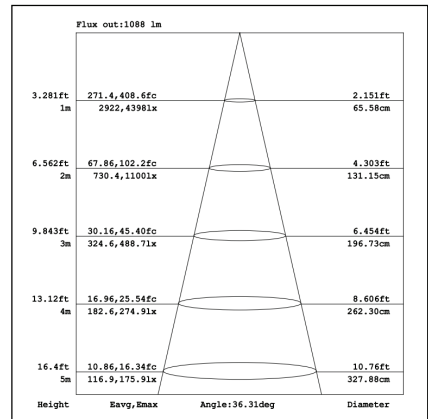
CRI80 36°



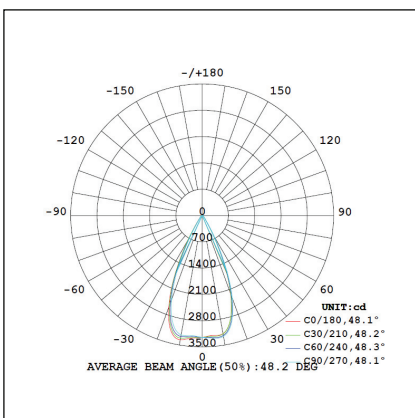
3000K



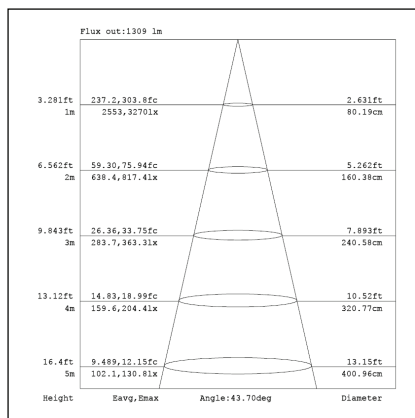
4000K



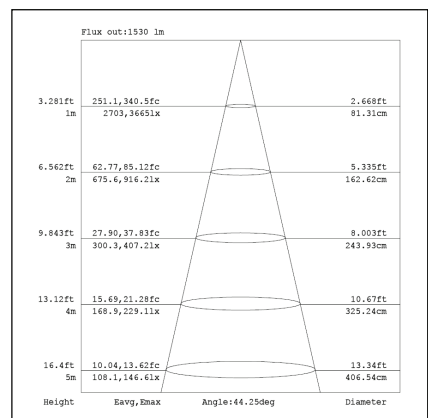
CRI80 48°



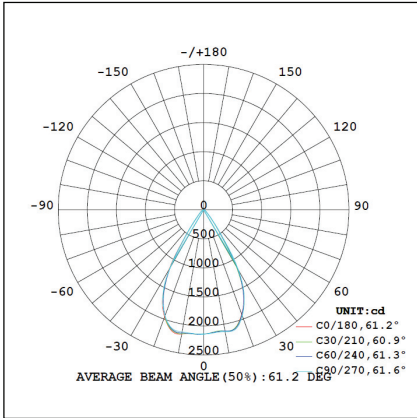
3000K



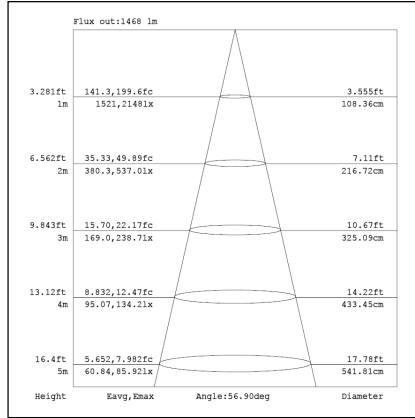
4000K



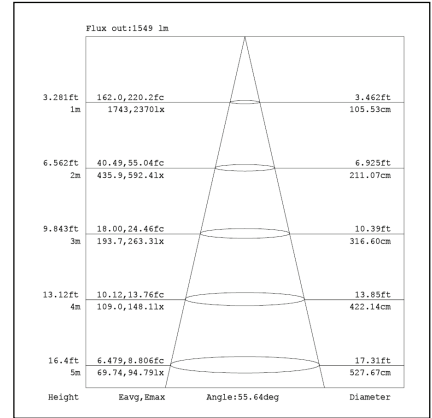
CRI80 60°



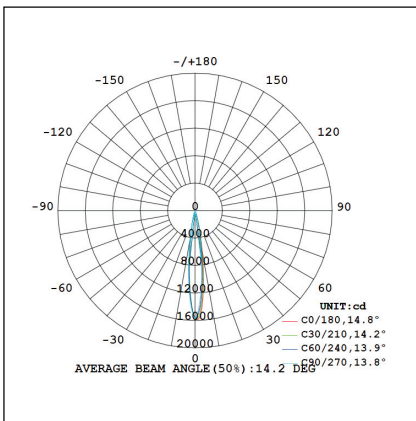
3000K



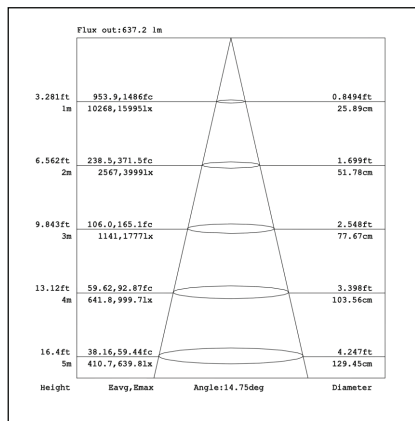
4000K



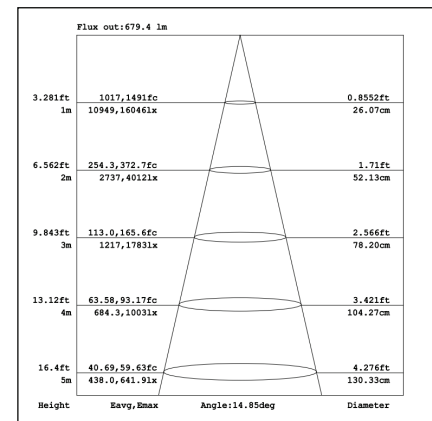
CRI90 15°



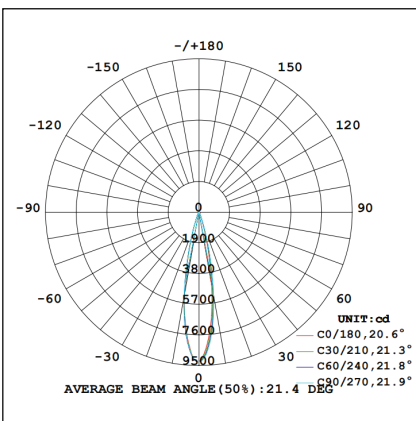
3000K



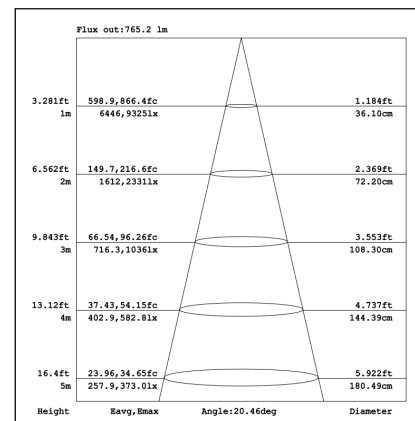
4000K



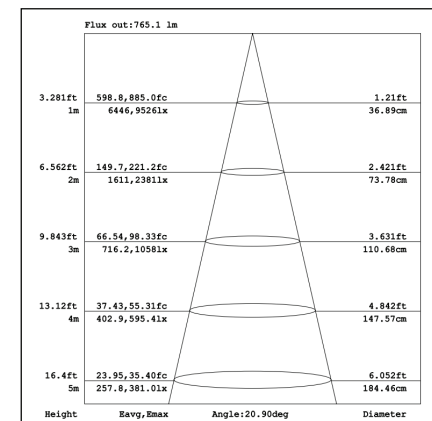
CRI90 20°



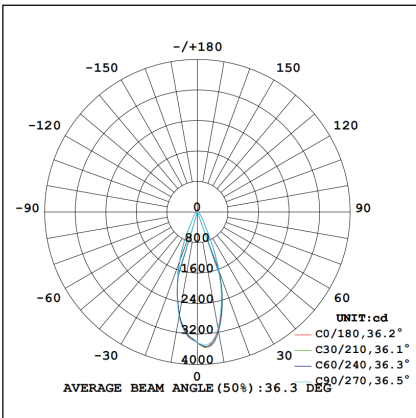
3000K



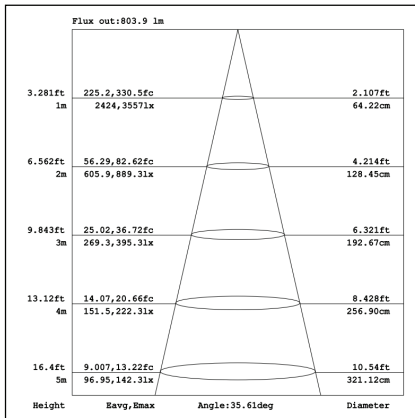
4000K



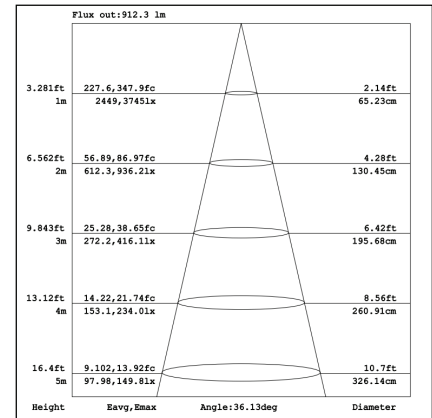
CRI90 36°



3000K

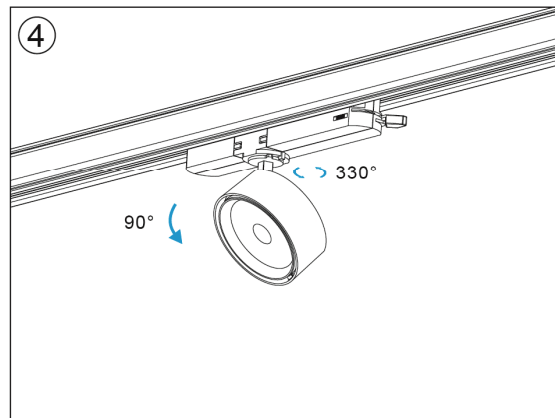
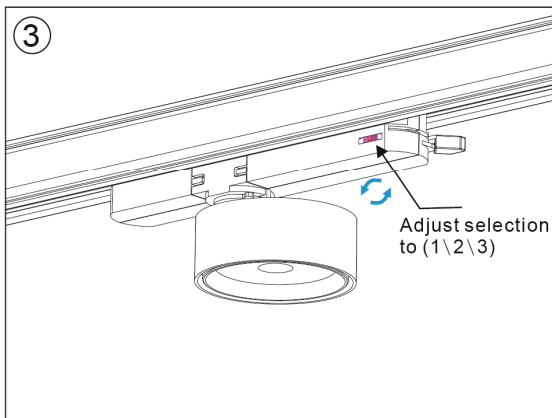
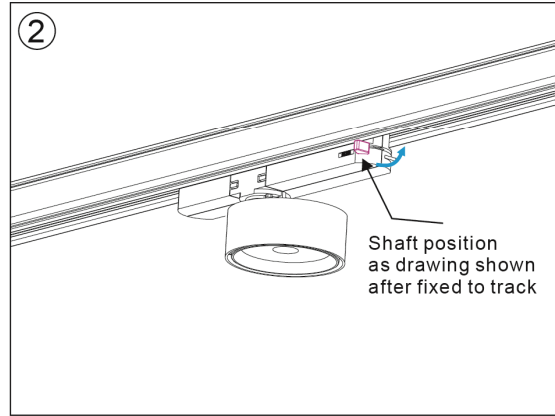
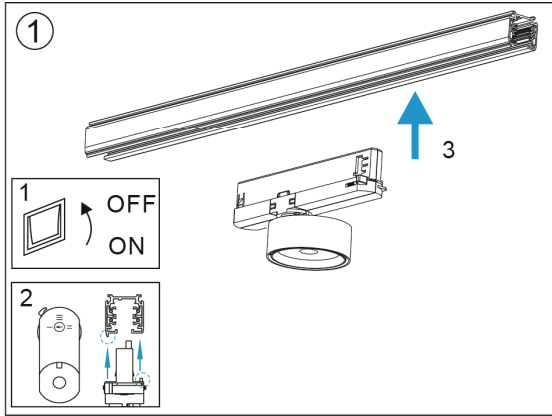


4000K



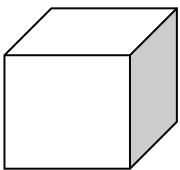
TL45 Tacklight Installation Instructions

Adaptor installation diagram

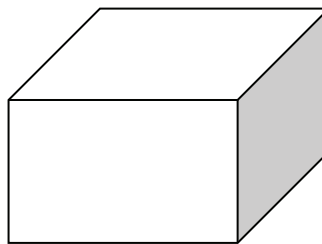


Packaging:

TL45-M



Box
 L210*W210*H90mm
 1pc/box
 GW: 0.7kg/box



Outer carton
 L430*W430*H390mm
 16pcs/CTN
 GW: 11.2kg/carton